

ACCESSORIES & HARDWARE

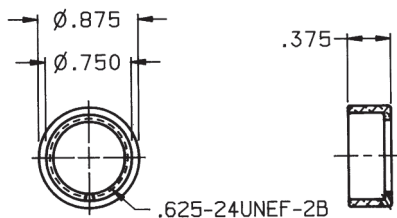
SHROUDS, PANEL SEALS & MOUNTING HARDWARE

Shrouds

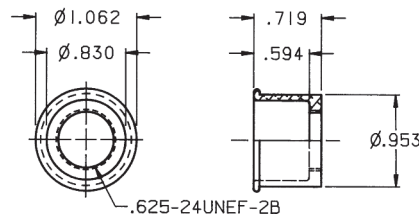
Shrouds are added to pushbutton switches to guard against inadvertent actuation. The actuating device must be inserted into the shroud in order to actuate the switch. We have an assortment from which to choose shown here. We are also able to design and fabricate a shape to meet your specifications and application needs.



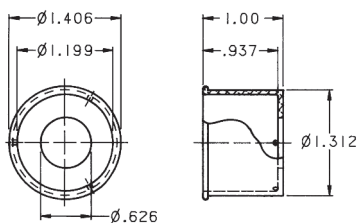
Material: Aluminum alloy, machined to specification.
Finish: Black anodized. For other color options, contact factory.



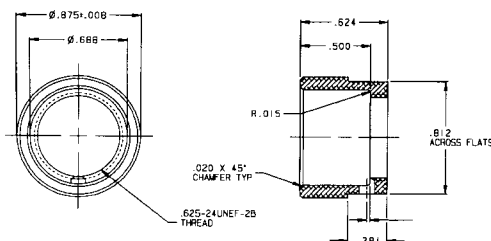
OTTO P/N C300793



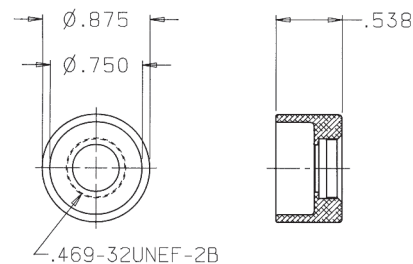
OTTO P/N C300514



OTTO P/N C300302



OTTO P/N C300871



OTTO P/N C300426

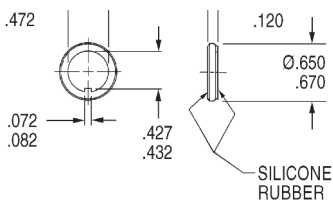
Panel Seals

Stainless Steel/Silicone Rubber Washer
Stainless steel cup washer with silicone rubber seal assures proper watertight panel seal. Withstands 20 PSI water pressure. Mounts behind panel.
Approved to MIL-DTL-5423/16. Designed for sealing 15/32" bushing with keyway. .472

OTTO P/N: 710196

MIL P/N: M5423/16-01
(was MS25196-1)

Thickness of bushing seal is reduced to 0.080" when mounted to panel.



Gaskets

OTTO P/N	I.D.
700117	0.250"
700110	0.469"
700109	0.625"

O-Rings (Buna)

OTTO P/N	I.D.
802568-010	0.250"
802568-015	0.500"
802568-016	0.625"

Mounting Hardware

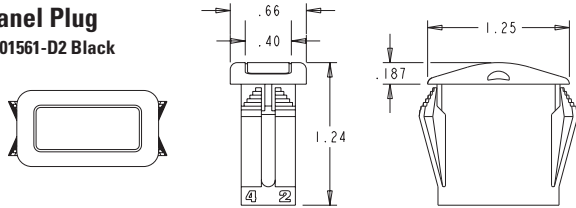
MILITARY P/N	OTTO P/N	BUSHING SIZE (inches)
KEYWAY WASHERS		
MS25081-C0	710081-C0	0.250"
MS25081-C4	710081-C4	0.469"
MS25081-C6	710081-C6	0.625"
INTERNAL TOOTH LOCKWASHERS		
MS35333-135	710333-135	0.250"
MS35333-136	710333-136	0.469"
MS35333-138	710333-138	0.625"
HEX NUTS—STANDARD		
MS25082-C14	710082-C14	0.250-40
MS25082-C21	710082-C21	0.469-32
MS25082-B11	710082-B11	0.625-24
HEX NUTS—WIRE LOCKING		
MS21340-04	710340-04	0.469-32
MS21340-05	710340-05	0.625-24

All hardware is stainless steel except MS25082-B11 which is brass, black oxide plated.

GASKETS, PANEL PLUGS & CONNECTORS

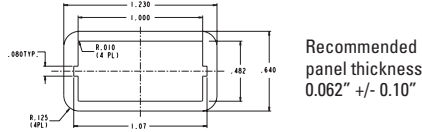
K1 Panel Plug

P/N C401561-D2 Black



K1 Gasket

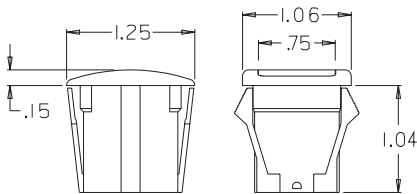
P/N 807039-1 0.062"
P/N 807039-2 0.031"



Recommended panel thickness 0.062" +/- 0.10"

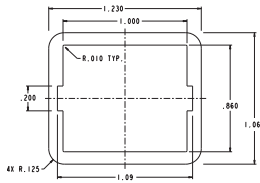
K2 Panel Plug

P/N C100695-2 Black
P/N C100695-9 White



K2 Gasket

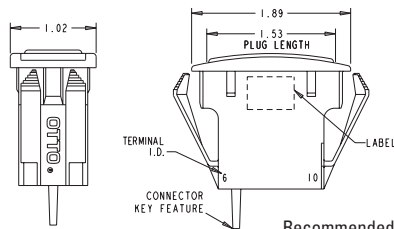
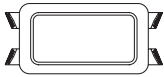
P/N 807038-1 0.062"
P/N 807038-2 0.031"



Recommended panel thickness 0.062"

K3 Panel Plug

P/N K30000040 Black Unsealed
P/N K30000030 Black Sealed

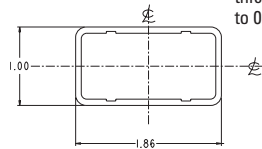


Recommended panel thickness 0.025" min to 0.187" max

K3 Panel Seal Gasket

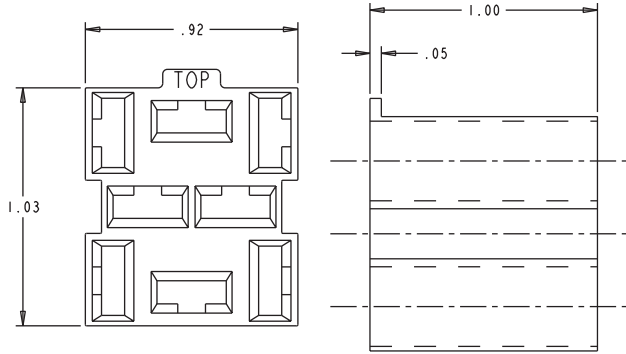
P/N 807037

Order separately for use with switches without drain holes.



K2, K4, T7 Connector

P/N C801765

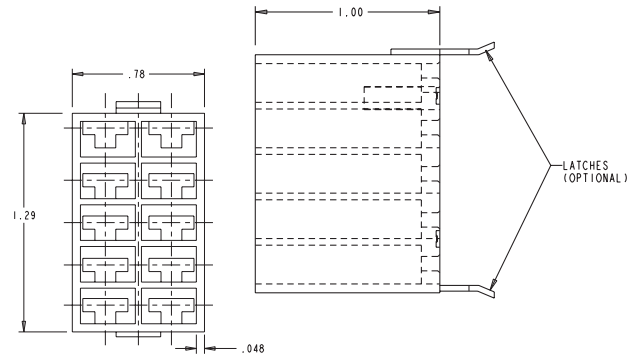


Recommended Quick Connect Terminals

AMP 60253-2 for 12-16 AWG wire with 0.160" to 0.210" insulation OD
AMP 42100-2 for 14-18 AWG wire with 0.100" to 0.170" insulation OD

K3, K5, R2 Connector

P/N 801775-2A Without Latches
P/N 801775-2B With Latches

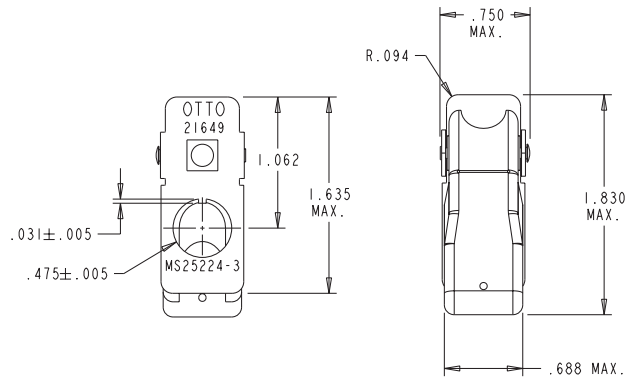
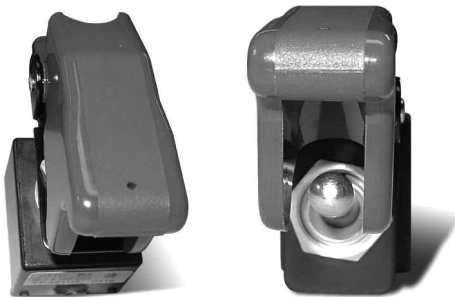


Recommended Quick Connect Terminals

AMP 60253-2 for 12-16 AWG wire
AMP 42100-2 for 14-18 AWG wire

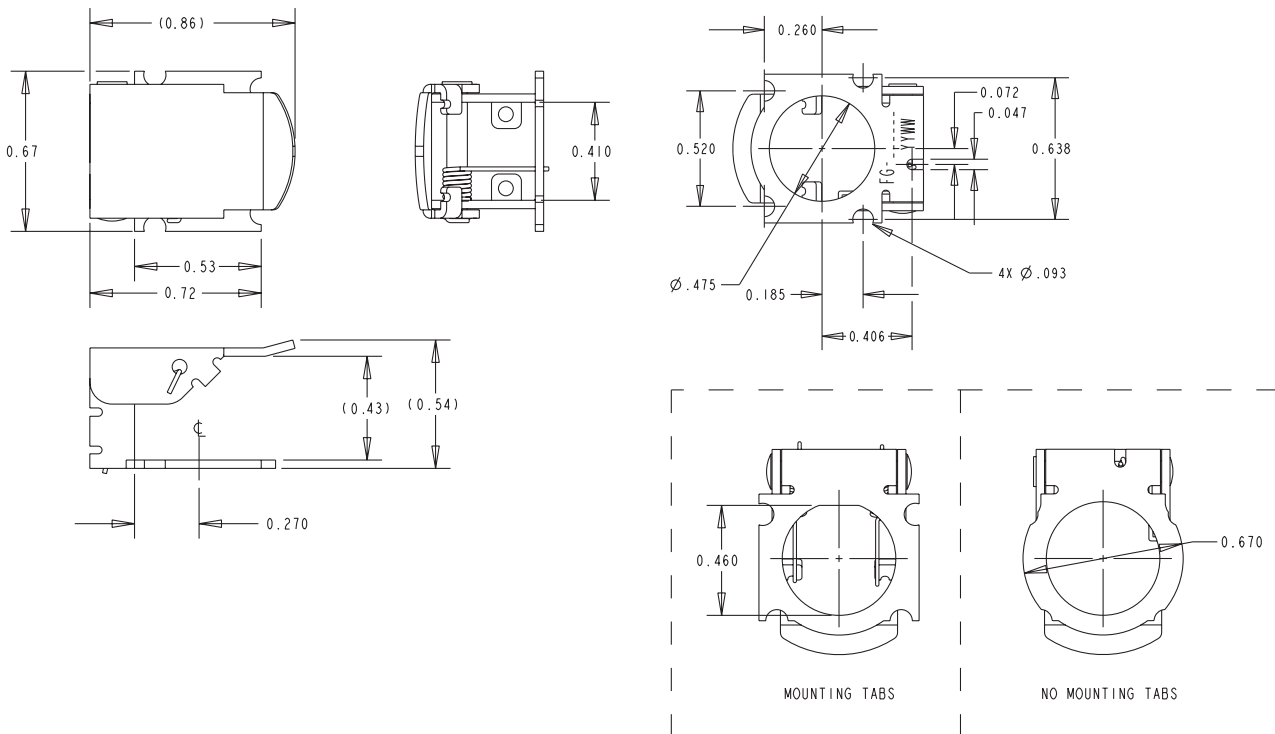
Toggle Guard

Meets the requirements of MIL-DTL-7703, MS25224-1, MS25224-3 and MS27752-1.



MAINTAINED OR MOMENTARY ACTION FLIP GUARD

The FG Flip Guard assembly offers a maintained or momentary actuation for pushbutton switches with a 15/32 threaded bushing. The FG flip guard's main feature is a spring-loaded cover that locks in either an open or closed position. In the open position the switch operates freely; in the closed position the switch is protected from accidental operation. The momentary open option prevents the guard from remaining in an open position, reducing the chance of accidental actuation. The flip guard is easily installed from the front panel and offers an optional D-flat or mounting tabs to prevent any rotation during assembly.



FG PART NUMBER CODE

