

# SLIDE SWITCH

COMMERCIAL & MILITARY GRADES



## Features:

- Single & double pole, double throw switch configuration
- Low level rating available with gold plate contacts & terminals
- 3-position center OFF with momentary or maintained switch action in any combination
- Dusttight to MIL-PRF-8805 Design 2
- Raised & flush button contours available
- Choice of button color
- FAA/PMA available (contact factory)
- RoHS & WEEE compliant

### Standard Characteristics/Ratings:

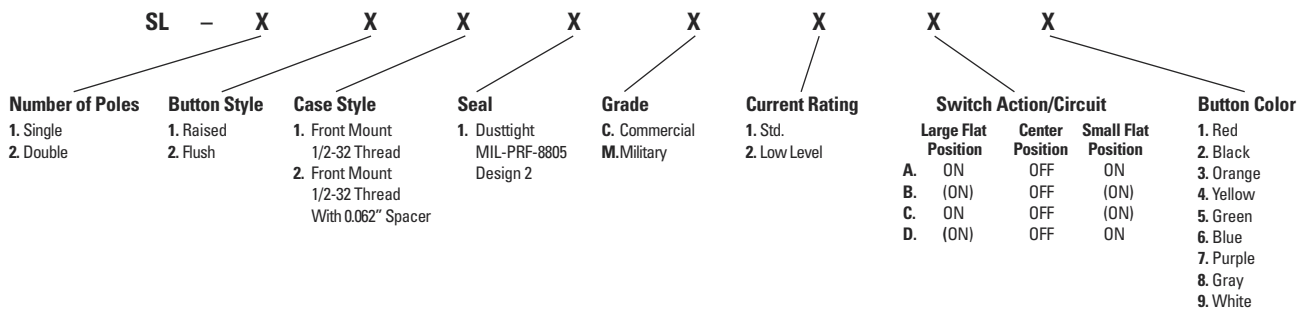
#### ELECTRICAL RATINGS:

Load	Sea Level @ 28VDC or 115VAC, 60/400Hz
Resistive	5A
Inductive	3A
Lamp	1A
DWV	1050Vrms
Low Level	10mA @ 30mV
<b>Electrical Life:</b>	100,000 cycles
<b>Mechanical Life:</b>	100,000 cycles
<b>Seal:</b>	Dusttight per MIL-PRF-8805 Design 2
<b>Operating Temp Range:</b>	-55°C to +85°C
<b>Operating Force:</b>	24 oz +/- 10 oz
<b>Return Force:</b>	10 oz +8 oz/-3 oz to center from maintained position
<b>Total Travel:</b>	0.120 inches max two directions
<b>Overtravel:</b>	0.010 inches min

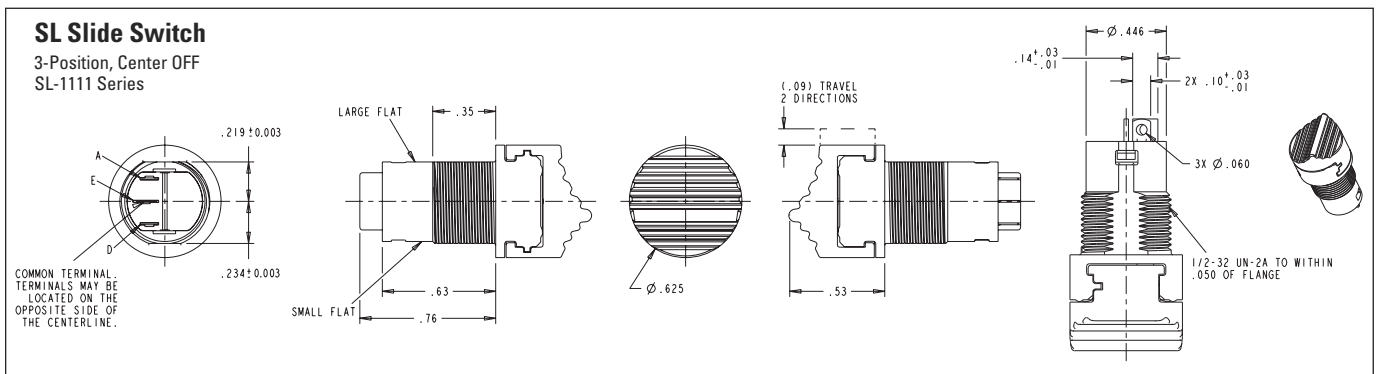
#### MATERIALS:

<b>Case:</b>	Thermoplastic
<b>Button:</b>	Thermoplastic
<b>Terminals:</b>	Beryllium copper with silver plate, gold flash over silver plate for low level
<b>Terminal Hardware:</b>	None provided
<b>Mounting Hardware:</b>	Hex nut and lockwasher

## SL PART NUMBER CODE



NOTE: ( ) denotes momentary action.



COMMERCIAL & MILITARY GRADES

